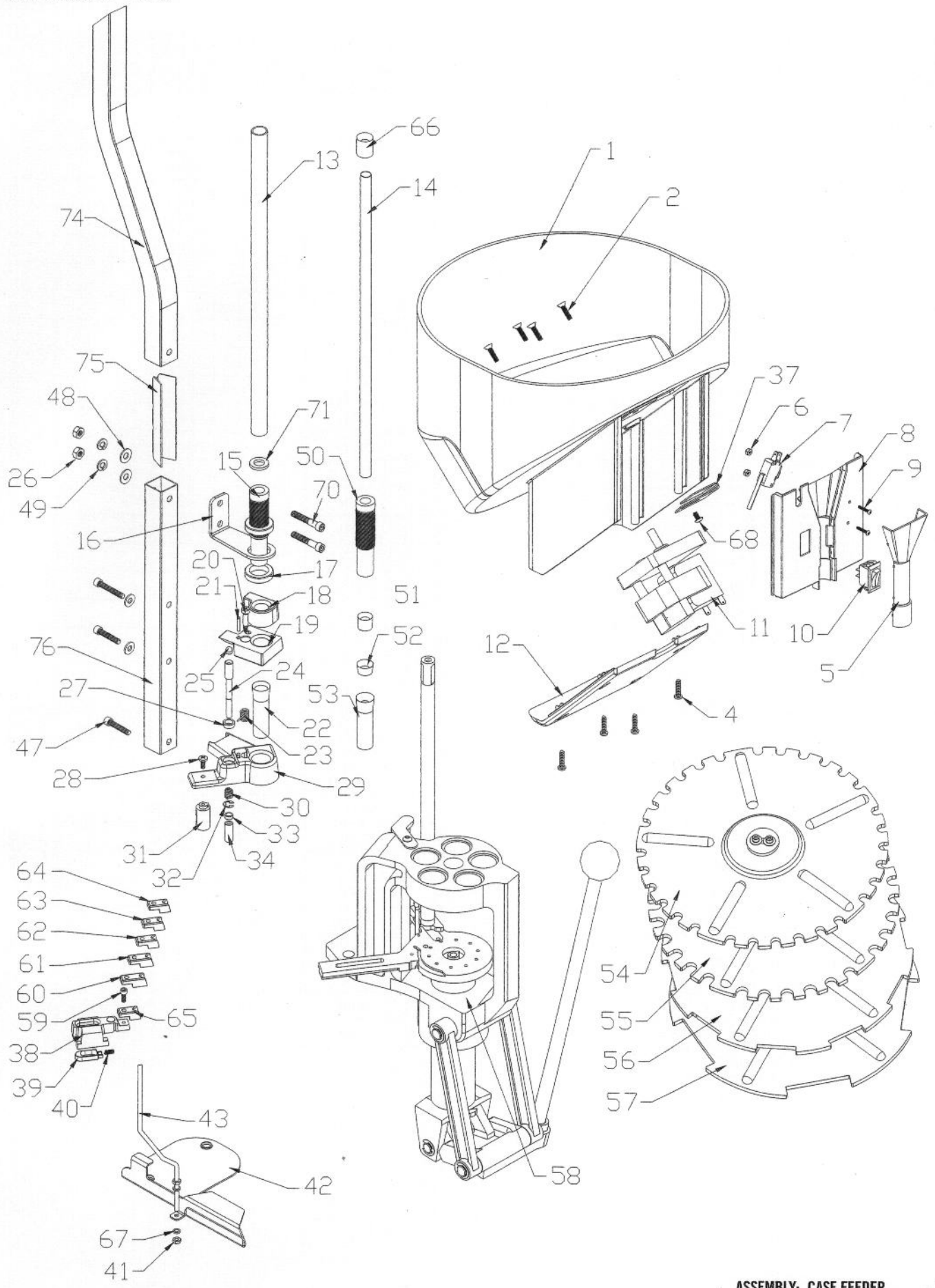


Lock-N-Load® AP Case Feeder

EXPLODED VIEW



Lock-N-Load® Auto Progressive (AP) Case Feeder

PARTS LIST

Item No.	Production Part No.	Qty.	Description
1	398441	1	Case Feed Bowl
2	398313	4	10-32 x 3/4 FHSCS
4	398445	4	8-32 x 3/4 Screw
5	398443	1	Case Feed Funnel Front
6	398375	2	4-40 Hex Head Lock Nut
7	398333	1	Micro Switch
8	398442	1	Case Feed Funnel Back
9	398376	2	4-40 x 5/8 B HSCS
10	398332	1	Rocker Switch
11	398331	1	Motor
12	398444	1	Motor Cover
13	398320	1	Feed Tube-Large
14	398321	1	Feed Tube-Small
15	398303	1	Feed Tube End-Large
16	398446	1	Feed Tube Mounting Bracket
17	396440	2	Lock Ring
18	398298	1	Pivot Adapter
19	398290	1	Pivot
20	398310	1	1/4 - 3/4 Shoulder Bolt
21	398311	1	3/0 x 3/4 Taper Pin
22	398305	1	Drop Tube-Large
23	398288	1	Spring, Torsion
24	398317	1	Push Rod
25	398371	1	Push Rod Tip
26	390178	3	1/4-20 Hex Head Nut
27	398349	1	Push Rod Bushing
28	398364	1	10 x 1/2 Sheet Metal Screw Pan Head Phillips
29	398344	1	Pivot Body
30	398363	1	Push Rod Spring
31	398343	1	Cam Wire Support
32	398425	1	E Clip 1/4
33	398373	1	Push Rod Nut
34	398372	1	Push Rod Lower
37	398285	1	Case Feed Door Adjustment
38	398291	1	Case Slide

Item No.	Production Part No.	Qty.	Description
39	398307	1	Case Slide Rod Guide
40	398308	1	Case Slide Rod Guide Spring
41	392011	2	10-32 Hex Head Nut
42	398289	1	Main Bracket
43	398299	1	Cam Wire
47	398321	2	1/4-20 x 125SHCS
48	390128	4	1/4 Flat Washer Zinc Plated
49	392031	2	1/4" Lock Washer
50	398304	1	Feed Tube End-Small
51	398300	1	Pivot Adapter Bushing
52	398301	1	Pivot Bushing
53	398306	1	Drop Tube-Small
54	095310	*	Case Feed Plate-Small Pistol
55	095312	*	Case Feed Plate-Large Pistol
56	095314	*	Case Feed Plate-Small Rifle
57	095316	*	Case Feed Plate-Large Rifle
58	059100	*	AP Press
59	398346	1	10-24 x 1/2 SHCS
60	398293	1	V-Block #1
61	398297	1	V-Block #2
62	398294	1	V-Block #3
63	398292	1	V-Block #4
64	398295	1	V-Block #5
65	398296	1	V-Block #6
66	398324	1	Plastic Feed Tube Small Bushing
67	390651	2	3/16" Flat Washer SAE
68	398362	1	10-24 x 5/16 B HSCS
69	398370	1	Case Feed Bowl Bushing
70	398388	3	1/4-20 x 150 SHCS
71	398416	1	O-Ring 7/8 OD, 11/16 ID
73	398302	*	Intermediate Drop Tube
74	398447	1	Case Feeder Stand 2-PC Upper
75	398449	1	1" Square Tube Connector
76	398448	1	Case Feeder Stand 2-PC Lower

* Optional Accessories: Sold Separately