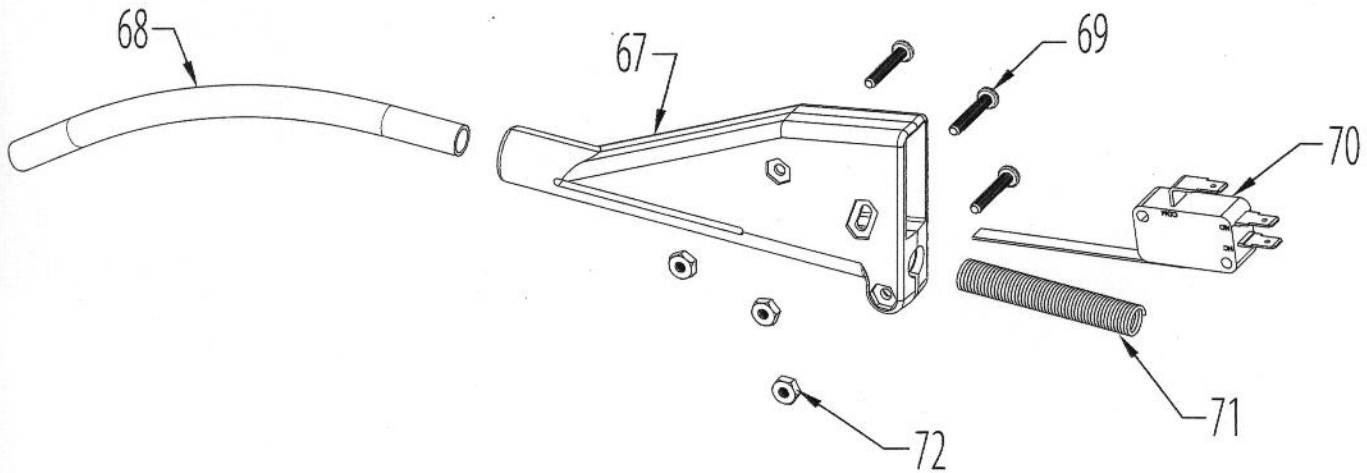


Switch Assembly

PARTS LIST & EXPLODED VIEW

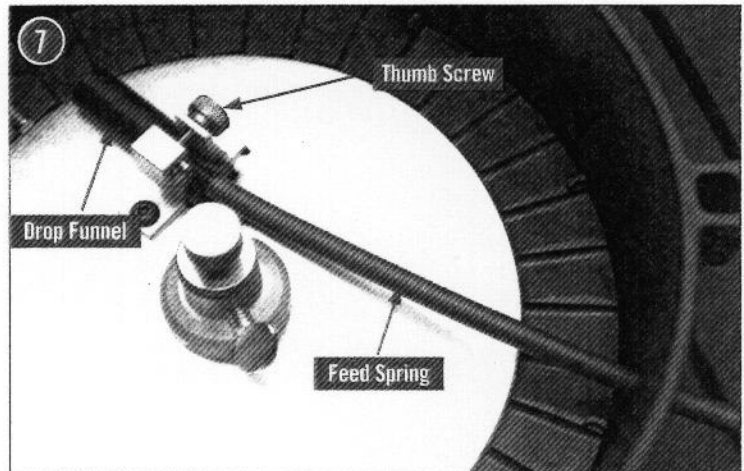
Item No.	Production Part No.	Qty.	Description
67	399345	1	Switch Retainer, 22 Cal
68	399343	1	Feed Tube, 22 Cal
69	399347	3	4-40 X 11/16 Pan Head Screw

Item No.	Production Part No.	Qty.	Description
70	399364	1	Micro Switch (Cherry D42LR1XL)
71	399349	1	Feed Spring, 22 Cal
72	392458	3	4-40 Hex Nut



Feed Tube and Switch Connection

Run the Feed Spring (71) through the hole in the side of the Feeder Bowl (24) and connect to the Bullet Drop Funnel (5). Tighten the Knurled Thumb Screw (4) to secure the Feed Spring (71).



Plug the Shut-Off Switch Cable (35) into the Microswitch (70).

