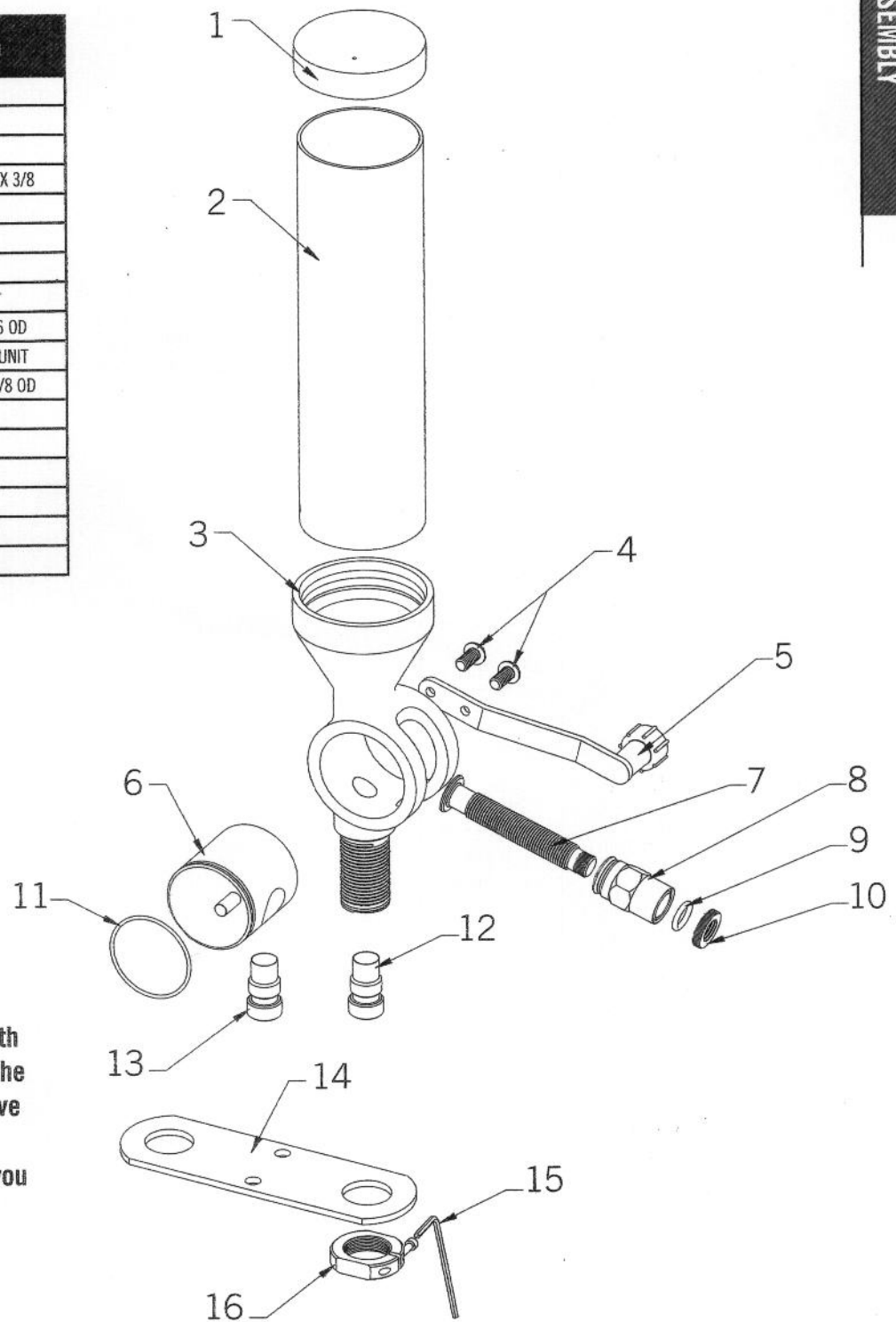


Lock-N-Load® Powder Measure

PARTS LIST

Item No.	Production Part Number	Qty.	Description
1	170405	1	HOPPER CAP
2	398520	1	HOPPER
3	392740	1	BODY
4	392719	2	SCREW BHSCS 10-32 X 3/8
5	392752	1	HANDLE ASSEMBLY
6	392741	1	ROTOR
7	392743	1	METERING PLUNGER
8	392742	1	SLEEVE
9	480083	1	O-RING 1/2 ID X 11/16 OD
10	392764	1	NUT LOCK METERING UNIT
11	392766	1	O-RING 1 1/2 ID X 1 5/8 OD
12	390702	1	SMALL DROP TUBE
13	390701	1	LARGE DROP TUBE
14	392760	1	MOUNTING BRACKET
15	390656	1	3/32" HEX WRENCH
16	044000	1	LOCK RING
17	390653	1	1/8" HEX WRENCH

EXPLODED VIEW



Precautions for the Powder Measure:

- Always change the metering units with the handle and the metering unit in the horizontal position, and after you have dropped the charge. If you allow the Handle to fall while changing units, you will drain the Hopper.
- Be sure that you have the proper Lock-N-Load device locked in place, before operating.
- Always verify your charges with a scale before loading.
- Any moisture in the unit will cause powder to stick, and charge weights will vary dramatically.