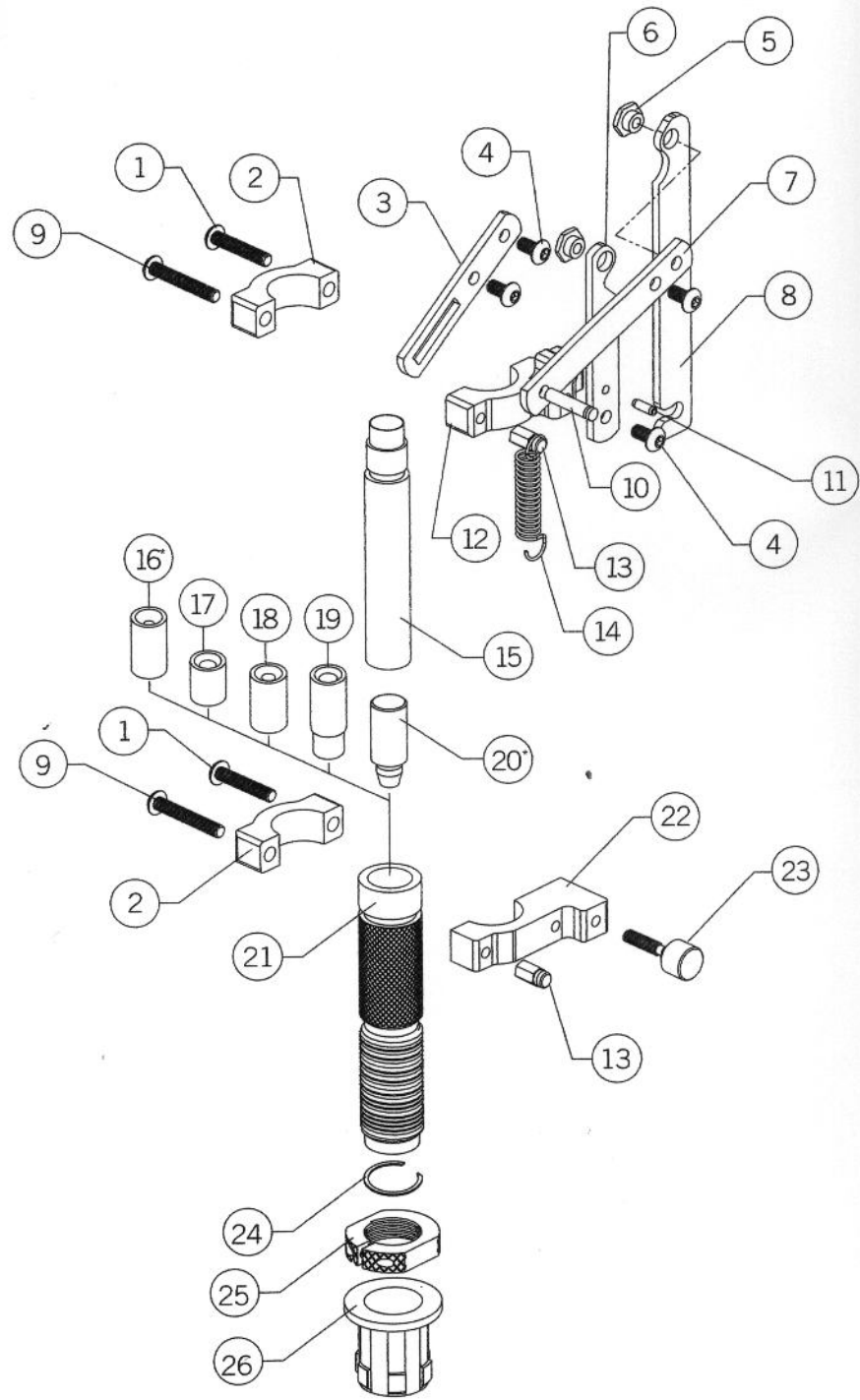


Lock-N-Load® Case Activated Powder Drop

PARTS LIST

EXPLODED VIEW

Item No.	Production Part Number	Qty.	Description
1	392721	2	BHSCS 10-32 X 1.00
2	392708	2	MOUNTING CLAMP
3	392710	1	ROTOR ARM
4	392719	5	BHSCS 10-32 X 3/8
5	392715	2	SHOULDER NUT
6	398735	1	PIVOT
7	398737	1	DRIVE LINK
8	398736	1	MEASURE LINK
9	398742	2	BHSCS 10-32 X 1.25
10	392717	1	GROOVE PIN 3/16 X 7/8
11	392718	1	SPRING PIN 1/8 X 3/8
12	392707	1	UPPER BRACKET
13	398739	2	SPRING NUT
14	391008	1	RETURN SPRING
15	392705	1	DROP TUBE
16*	392703	1	17 CAL. SLEEVE
17	392701	1	#1 POWDER SLEEVE
18	392702	1	#2 POWDER SLEEVE
19	392700	1	PISTOL POWDER SLEEVE
20*	290030	1	.355 POWDER THRU EXPANDER
20*	290031	1	.357 POWDER THRU EXPANDER
20*	290032	1	.400 POWDER THRU EXPANDER
20*	290033	1	.430 POWDER THRU EXPANDER
20*	290034	1	.451 POWDER THRU EXPANDER
20*	290035	1	.452 POWDER THRU EXPANDER
20*	290037	1	.475 POWDER THRU EXPANDER
20*	290038	1	.500 POWDER THRU EXPANDER
21	392704	1	MEASURE ADAPTER
22	392706	1	LOWER BRACKET
23	398741	1	LOCKING BOLT
24	392722	1	RETAINING RING
25	044000	1	LOCK RING
26	392302	1	LOCK -N-LOAD BUSHING



* (Sold Separately)